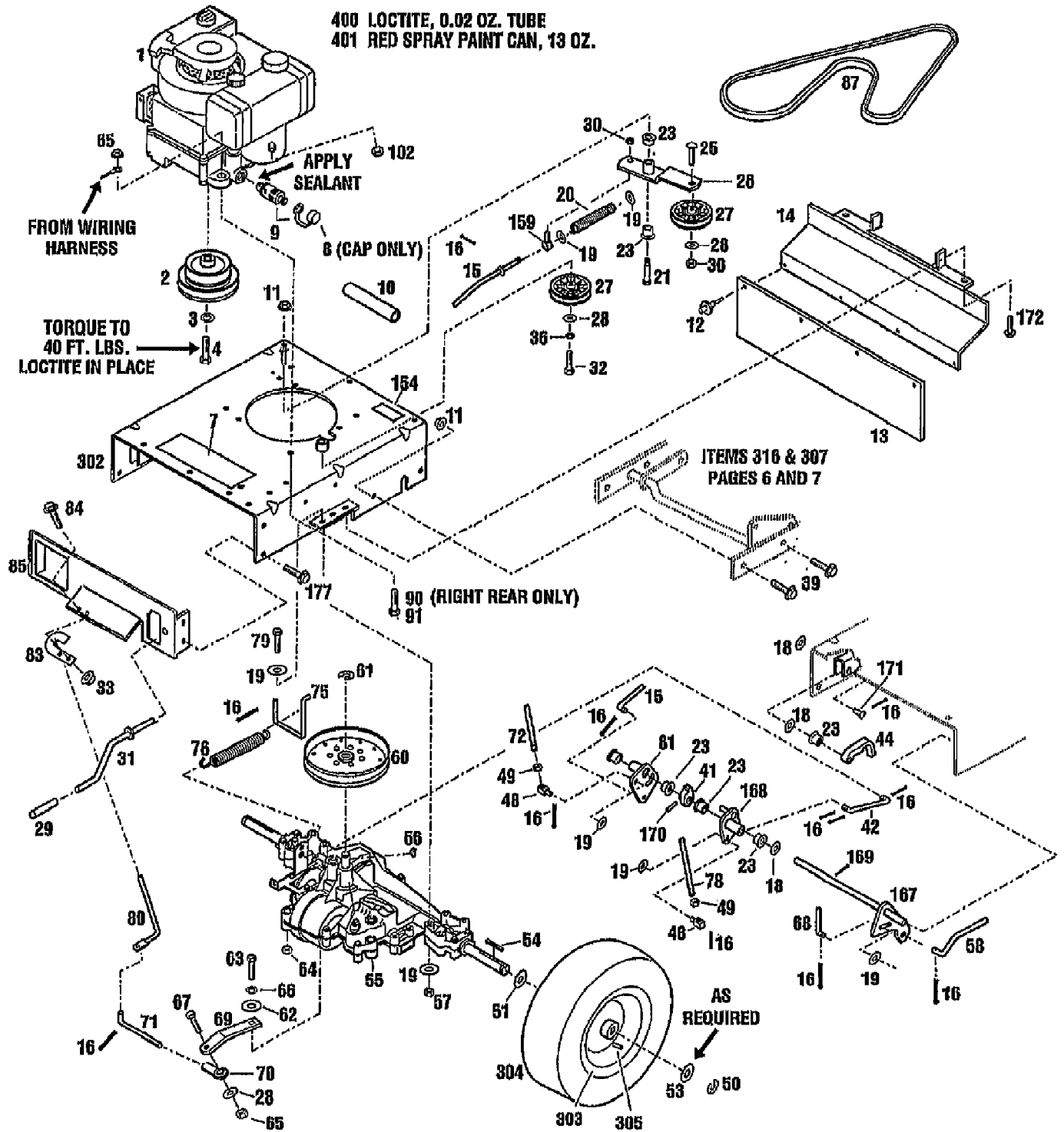


34073 8.5HP (STD.) 33" CUT (S/N 340730100101-340730199999)
DECK ASSEMBLY

Page 2 of 13

Ref #	Part Number	Qty	S/P/F	Description
2	1185574	1	S	BEARING-BALL
3	1746869	1	/P	SPACER
4	1765092	1	S	HOUSING-SPINDLE
5	1185976	1	S	FITTING-GREASE 1/4-28X2.00
6	1765029	1	/P	SPACER-BLADE
7	1766061	1	S	SHAFT-SPINDLE MED. RIGHT SIDE
8	1768169	1	S	SPINDLE-SHAFT LONG LEFT SIDE
9	1765196	1	/P	SCR-HH 1/2-14X1.00
10	1765197	1	/P	WASHER-BELLEVILLE
12	1185649	1	/P	RING-RETAINING EXT .694 ID
13	1771081	1	/P	SCR-FLAT HEAD
14	1771083	1	/P	PAD-BRAKE
15	1983039	1	/P	NUT-H/LK M10-24 NYLOCK
17	1764995	1	S	BELT-DRIVE
18	1768435	1		DECAL-CAUTION PINCH POINT
19	1770432	1	S	COGGED PULLEY, 56T
20	1769362	1	S	PULLEY-BLADE DRIVE ZP
21	1736484	1	S	WASHER-1.37X.453X.179 ZP
22	1100244	1	S	WASHER-LK .438 ZP
23	1766984	1	/P	SCR-HFLK 5/16-18X.75
24	1764140	1	/P	BUSHING
25	1186393	1	/P	NUT-HFLK 3/8-16 ZP
26	1762794	1	S	PULLEY-IDLER
27	1100062	1	/P	SCR-HH 3/8-16X2.50
29	1770803001	1	S	ARM-IDLER
30	1100044	1	S	SCR-HHC 5/16-18X.75 GR 5 ZP
31	1769768001	1		BRKT-BELT TENSION ADJ
32	1749911	1	/P	PULLEY
33	1766787	1	/P	WASHER-THRUST .75 ID
34	1720717	1	/P	GUIDE-BELT
35	1756595	1	/P	SPRING-EXTENSION
36	1186231	1	S	NUT-HEX 3/8-16 ZP
37	1732499	1	/P	NUT-TOP/LK 5/16-18 ZP
38	1723996	1	/P	SPACER-PULLEY ZP
39	1739687	1	/P	DECAL-OPEI CAUTION
40	1768818	1	S	WASHER-.75X.406X.092
41	1100243	1	S	WASHER-LK .375
42	1701447	1	/P	WASHER
43	1764135	1	/P	GUIDE-BELT
44	1769397	1	/P	SCR-HH 7/16-14X1.25
46	1113527	1	S	RING-RETAIN EXT .707 ID
47	1982935	1	S	WASHER-.312 X .75
48	1185715	1	/P	WASHER-LK .375 PYRAMIDAL
158	1769767	1	/P	BELT-V
318	NLA	1		KIT-2 BLADE WC MWR 33" (INCL. 9, 10 AND 318)
318A	1769947	1	S	BLADE-33" MULCHING
319	NLA	1		ASSM-DECK 33" (INCL. 39 & 18)
320	1769048	1	S	ASSM-MOWER SPINDLE (INCL. 2-5)
400	97092	1	S	LOCTITE-242 (.5 ML TUBE)
401	1735222	1	/P	PAINT-BLACK SPRAY

34073 8.5HP (STD.) 33" CUT (S/N 340730100101-340730199999)
DRIVE ASSEMBLY



34073 8.5HP (STD.) 33" CUT (S/N 340730100101-340730199999)
DRIVE ASSEMBLY

Page 4 of 13

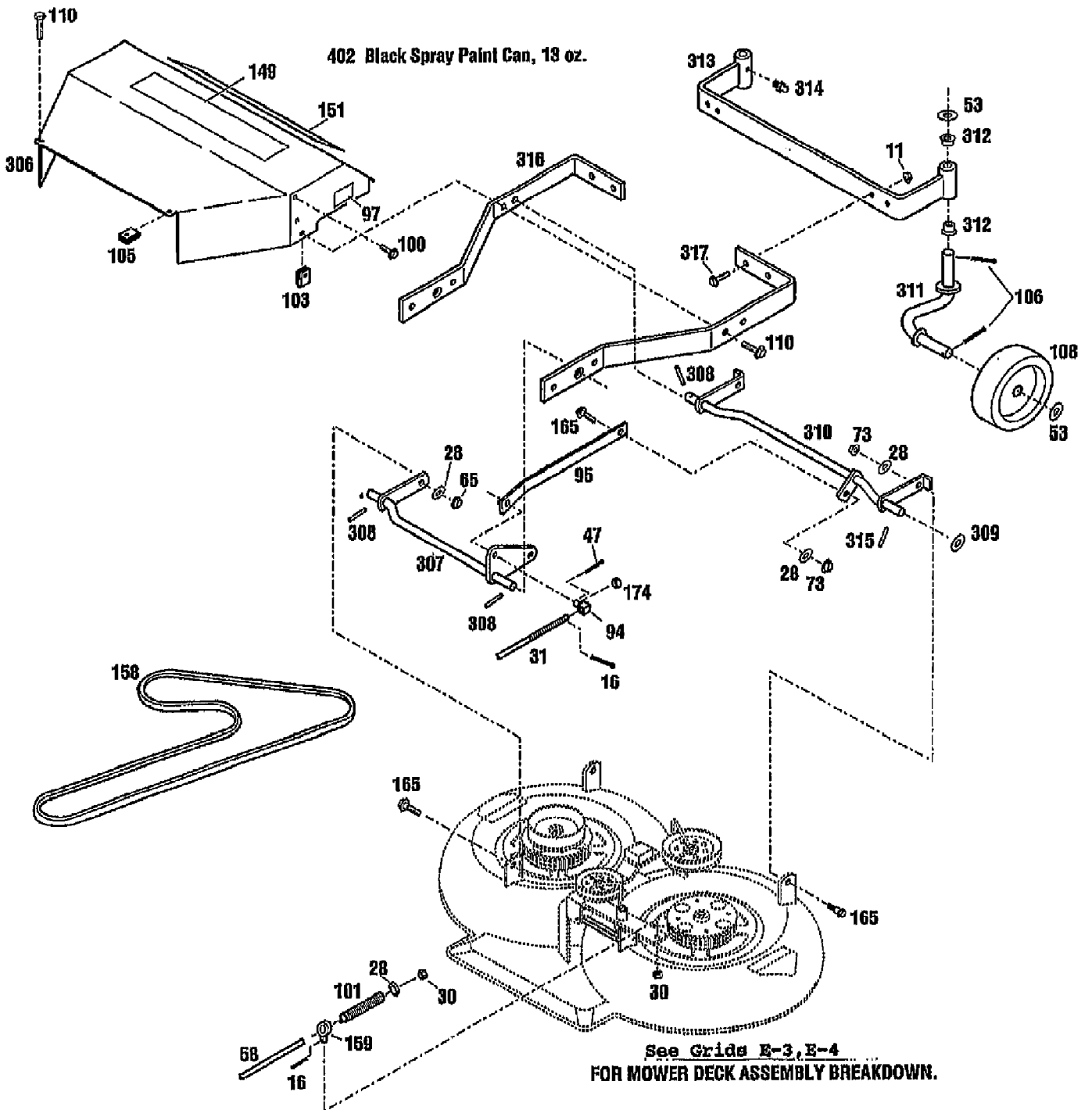
Ref #	Part Number	Qty	S/P/F	Description
1	0	0	F	ENGINE, 8.5HP MODEL 196707-0155 (34071,34074)
1	0	0	F	ENGINE, 8.5HP MODEL 196702-0142 (34073,34075)
2	1769904	0	/P	PULLEY-ENGINE
3	1100244	0	S	WASHER-LK .438 ZP
4	1740949	0	/P	SCR-HHC 7/16-20X1.75
7	1770379	0		DECAL-WARNING
8	1766326	0		CAP-OIL DRAIN
9	1768865	0	S	ASSM-OIL VALVE
10	1769006	0	S	HOSE-OIL DRAIN
11	1186393	0	/P	NUT-HFLK 3/8-16 ZP
12	1727379	0	/P	RIVET-POP 3/16 X 5/8
13	1769870	0	/P	FLAP-SAFETY
14	1769869001	0	/P	BRACKET-FLAP
15	1769885	0	/P	ROD-LOWER TRANS
16	1185147	0	S	PIN-COTTER .093X.625
18	1890234	0	S	WASHER-FLAT .88X.5X.06 ZP
19	1107382	0	/P	WASHER-FLAT 5/16 SAE
20	1711864	0	/P	SPRING-COMPRESSION
21	1763219	0	/P	SCR-SHLDR 3/8-16
23	1715538	0	/P	BUSHING-.5X.5 NYLON FLNG
25	1748393	0		SCR-CARR 3/8-16X1.75 G5 ZP
26	1764920	0	S	ASSM-IDLER ARM ZP
27	1756151	0	/P	IDLER
28	1107383	0	S	WASHER-FLAT 3/8 SAE
29	1715685	0	/P	GRIP-PLASTIC
30	1733398	0	S	NUT-LOCK 3/8-16
31	1769895	0	S	ASSM-CRANK LIFT
32	1100086	0	S	SCR-HH 3/8-16X1.75 G5 ZP
33	1186389	0	/P	NUT-HF/LK 1/4-20 ZP
36	1100243	0	S	WASHER-LK .375 @ DEPL
39	1186347	0	S	SCR-HFLK 3/8-16X1.00 ZP
41	1769881	0	/P	CAM-INTERLOCK
42	1769877	0	/P	ROD-LOWER BRAKE
44	1770361	0	/P	LATCH-INTERLOCK
48	1725264	0	/P	BLOCK-SWIVEL ZP
49	1186258	0	S	NUT-HEX JAM 5/16-18
50	1185388	0	S	RING-RET."E".577 ID
51	1708012	0	S	WASHER-1.5X.755X.062
53	1701447	0	/P	WASHER-1.25X.765X.049
54	1769781	0	S	KEY-.188 SQ X 2.25
55	0	0	F	TRANSMISSION ASSEMBLY, MODEL 915-027 (SEE GRIDS E-5, E-6 FOR BREAKDOWN)
56	1104436	0	S	KEY-WOODRUFF .188X.75
57	1732499	0	/P	NUT-TOP/LK 5/16-18 ZP
58	1770247	0	S	ROD-LOWER BLADE
60	1770326	0	/P	PULLEY-TRANSAXLE
61	1118808	0	/P	RING-RETAIN .625 ID
62	1107381	0	S	WASHER-FLAT 1/4 SAE
63	1100002	0	S	SCR-HH 1/4-28X.75 G5 ZP

34073 8.5HP (STD.) 33" CUT (S/N 340730100101-340730199999)
DRIVE ASSEMBLY

Page 5 of 13

Ref #	Part Number	Qty	S/P/F	Description
64	1186391	0	S	NUT-HFLK 5/16-18 ZP
65	1110108	0	S	NUT-H/LK 3/8-16
66	1100241	0	S	WASHER-LK .25 ZP
67	1100043	0	S	SCR-HH 3/8-16X1.25
68	1769888	0	/P	ROD-UPPER BLADE
69	1768140	0	S	ARM-TRANSMISSION ZP
70	1767837	0	/P	JOINT-BALL
71	1768628	0	/P	ROD-SHIFT LINK
72	1769873	0	/P	ROD-UPR TRANSMISSION
75	1768624	0	/P	ROD-SPRING ATTACHMENT
76	1768636	0	/P	SPRING-EXTENSION
78	1769872	0	/P	ROD-UPPER BRAKE
79	1111609	0	S	SCR-HH 5/16-18X2.75 G5 ZP
80	1769874	0	/P	LEVER-SHIFT
81	1769875	0		ASSM-CLUTCH ARM ZP
83	1768630010	0	S	BRKT-SHIFT ROD MTG
84	1186308	0	S	SCR-HFLK 1/4-20X.50 ZP
85	1769852010	0	/P	PLATE-BACK
87	1770334	0	/P	BELT-V
90	1768194	0	S	SCR-THRD FRM 3/8-16X1.50
91	1762042	0		SCR-HH 3/8-16X1.0 THDFM
102	1186229	0	S	NUT-HEX 1/4-20 ZP
154	1901899	0		DECAL-AMERICAN LEGEND-SM
159	1769038	0		BOLT-EYE
167	1769882	0	/P	SHAFT-PIVOT ZP
169	1100350	0	S	PIN-COTTER .120X1.00 ZP
168	1769878	0		ASSM-BRAKE ARM ZP
170	1187961	0	/P	PIN-ROLL .156X1.0
171	1730851	0	/P	PIN-CLEVIS .5X1.25
172	1724491	0	S	SCR-HFLK 5/16-18X.75
177	1740496	0	S	SCR-HFLK 5/16-18X.625 STH
302	1770659	0		ASSM-FRAME
303	1768180	0	/P	WHEEL
304	1756444	0	S	TIRE
305	1718086	0	S	STEM-VALVE
400	97092	0	S	LOCTITE-242 (.5 ML TUBE)
401	1900706	0	S	PAINT-RED SPRAYCAN POWDER
?402	1769846	0	F	KIT-SVC 8.5HP WIDECUT

34073 8.5HP (STD.) 33" CUT (S/N 340730100101-340730199999)
FRONT FRAME ASSEMBLY

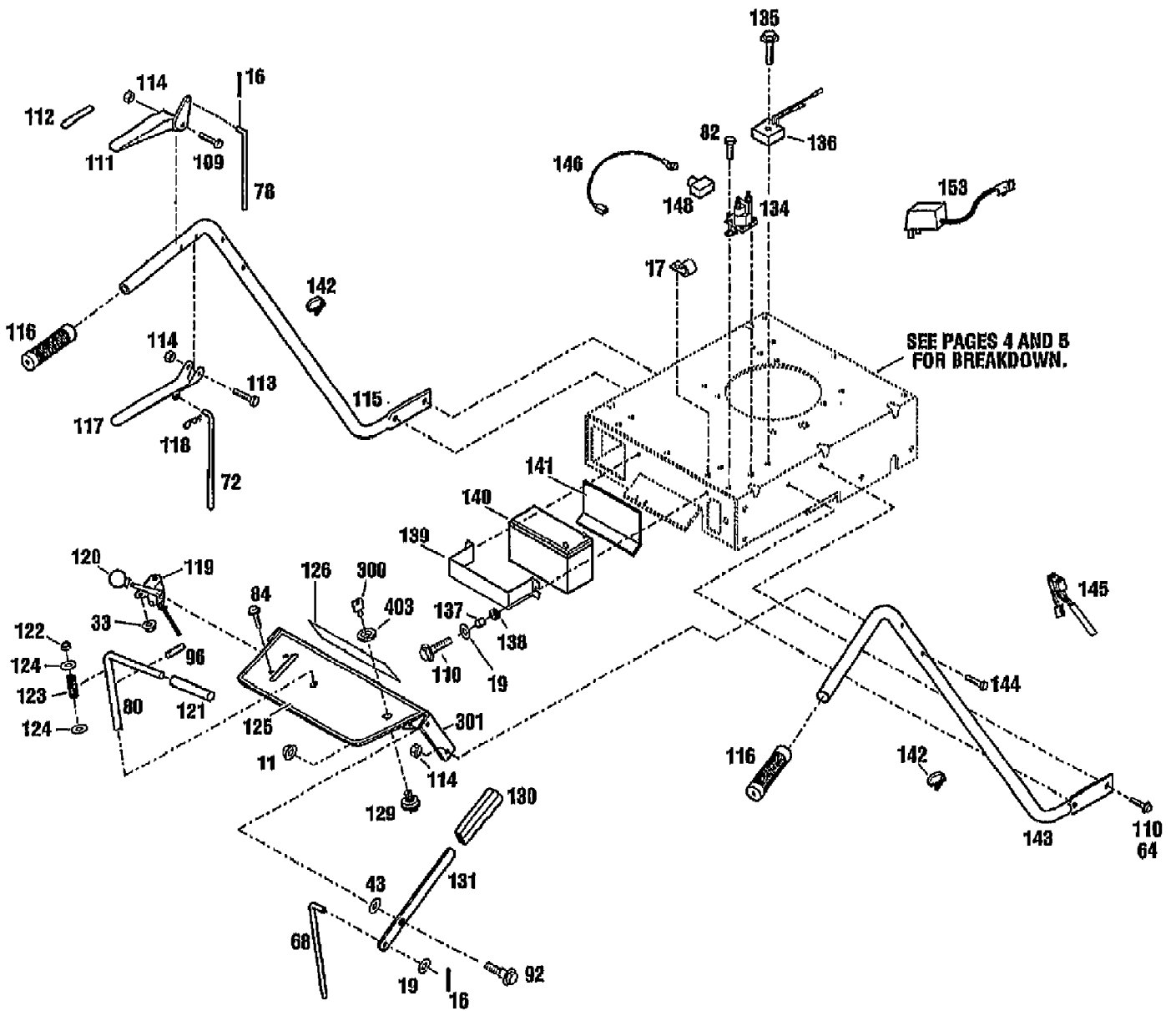


34073 8.5HP (STD.) 33" CUT (S/N 340730100101-340730199999)
FRONT FRAME ASSEMBLY

Page 7 of 13

Ref #	Part Number	Qty	S/P/F	Description
11	1186393	0	/P	NUT-HFLK 3/8-16 ZP
16	1185147	0	S	PIN-COTTER .093X.625
28	1107383	0	S	WASHER-FLAT 3/8 SAE
30	1733398	0	S	NUT-LOCK 3/8-16
31	1769895	0	S	ASSM-CRANK LIFT
47	1100349	0	S	PIN-COTTER .125 X .75 ZP
53	1701447	0	/P	WASHER-1.25X.765X.049
58	1770247	0	S	ROD-LOWER BLADE
73	1185506	0	S	NUT-HEX/JAM 3/8-16 ZP
94	1768231	0	/P	BLOCK-PIVOT ZP
95	1769521001	0	/P	BAR-LEVELER
97	1769889	0	S	DECAL-CUTTING HEIGHT
100	1769344	0	S	BOLT-TAP 8 X 3/8
101	1769007	0	/P	SPRING-COMPRESS BLADE ROD
103	1185498	0	S	NUT 5/16-18 SPEED
105	1185873	0	S	NUT-SPEED
106	1100352	0	/P	PIN-COTTER .125X1.5
108	1743891	0	S	GAUGE-WHEEL
110	1186329	0	S	SCR-HFLK 5/16-18X.75 ZP
149	1768385	0	S	DECAL-TROY BILT
151	1768390	0		DECAL-33" MULCHING
158	1769767	0	/P	BELT-V
159	1769038	0		BOLT-EYE
165	1754125	0	/P	SCR-SHLDR 3/8-16X.25 G5ZP
174	1770355	0	S	NUT-TOPLK .4375-14
306	1764996010	0	S	COVER-BELT
307	1769903	0	S	ASSM-REAR LIFT
308	1185469	0	S	PIN-DRIVE .25X1.00
309	1107386	0	S	WASHER-1.305X.649X.098 ZP
310	1770248001	0	/P	ASSM-FRONT LIFT
311	1768477001	0	/P	ASSM-SPINDLE
312	1764140	0	/P	BUSHING
313	1769897001	0	S	SUPPORT-GAGE
314	1185976	0	S	FITTING-GREASE 1/4-28X2.00
315	1185759	0	/P	PIN-DRIVE .25X3.0 ZP
316	1769899	0	S	SUPPORT-MOWER
317	1186347	0	S	SCR-HFLK 3/8-16X1.00 ZP
402	1735222	0	/P	PAINT-BLACK SPRAY

34073 8.5HP (STD.) 33" CUT (S/N 340730100101-340730199999)
HANDELBAR AND CONSOLE



34073 8.5HP (STD.) 33" CUT (S/N 340730100101-340730199999)
HANDELBAR AND CONSOLE

Page 9 of 13

Ref #	Part Number	Qty	S/P/F	Description
11	1186393	0	/P	NUT-HFLK 3/8-16 ZP
16	1185147	0	S	PIN-COTTER .093X.625
17	1721252	0		CLIP-CLAMP .25 ID
19	1107382	0	/P	WASHER-FLAT 5/16 SAE
33	1186389	0	/P	NUT-HF/LK 1/4-20 ZP
43	1702646	0	/P	WASHER-FLAT 1.0X.516X.031
64	1186391	0	S	NUT-HFLK 5/16-18 ZP
68	1769888	0	/P	ROD-UPPER BLADE
72	1769873	0	/P	ROD-UPR TRANSMISSION
78	1769872	0	/P	ROD-UPPER BRAKE
80	1769874	0	/P	LEVER-SHIFT
82	1724492	0		SCR 1/4-20X.5 FL SELF TAP {34071,34074}
84	1186308	0	S	SCR-HFLK 1/4-20X.50 ZP
92	1703051	0	/P	BOLT-SHOULDER MOWER
96	1185279	0	/P	PIN-ROLL .25X2.25
109	1111601	0	/P	SCR-HH 1/4-20X1.75 G5 ZP
110	1186329	0	S	SCR-HFLK 5/16-18X.75 ZP
111	1770445001	0	/P	LEVER-CONTROL
112	1768452	0		DECAL-OPC MOWERS
113	1100811	0	S	SCR-HH 1/4-20X1.5 G5ZP
114	1734398	0	S	NUT-HT LK 1/4-20
115	1764922010	0	/P	HANDLEBAR-LH
116	1703539	0	S	GRIP-FLEX
117	1768131001	0		HANDLE-CONTROL MOWER
118	1717897	0	/P	PIN-CLIP .08
119	1768191	0	S	CABLE-THROTTLE CONTROL
120	1737118	0	S	KNOB
121	1737041	0	/P	GRIP-HANDLE
122	1715716	0	/P	BUSHING-.5X.21 NYLON FLNG
123	1721492	0	/P	SPRING-COMPRESSION
124	1107385	0	S	WASHER-1.06X.531X.1 ZP
125	1768456	0		DECAL-WARNING STD WC {34073,34075}
125	1768457	0		DECAL-WARNING ELEC WC {34071,34074}
126	1768389	0	S	DECAL-WIDE CUT T/B
129	1734196	0	S	ASSM-KEYSWITCH {34071,34074}
130	1764984	0	S	GRIP-HANDLE
131	1768223	0	/P	LEVER-MOWER ENGAGE ZP
134	1752137	0	S	SOLENOID {34071,34074}
135	1747027	0		SCR-HFLK {34071,34074}
136	1768464	0	S	REGULATOR
137	1749778	0		SPACER {34071,34074}
138	1769080	0	/P	GROMMET {34071,34074}
139	1768159010	0	/P	BRACKET-BATTERY {34071,34074}
140	1768158	0	/P	BATTERY {34071,34074}
141	1769081	0		PAD-BATTERY {34071,34074}
142	1735531	0	S	TIE-CABLE NYLON BLACK
143	1764923010	0	/P	HANDLEBAR-RH
144	1111601	0	/P	SCR-HH 1/4-20X1.75 G5 ZP
145	1770371	0		HARNESS-WIRING {34071,34074}
146	1768444	0		ASSM-WIRE LEAD {34071,34074}
148	1734364	0		BOOT-CABLE {34071,34074}
153	1768449	0	/P	CHARGER-BATTERY {34071,34074} (SHIPPED LOOSE)

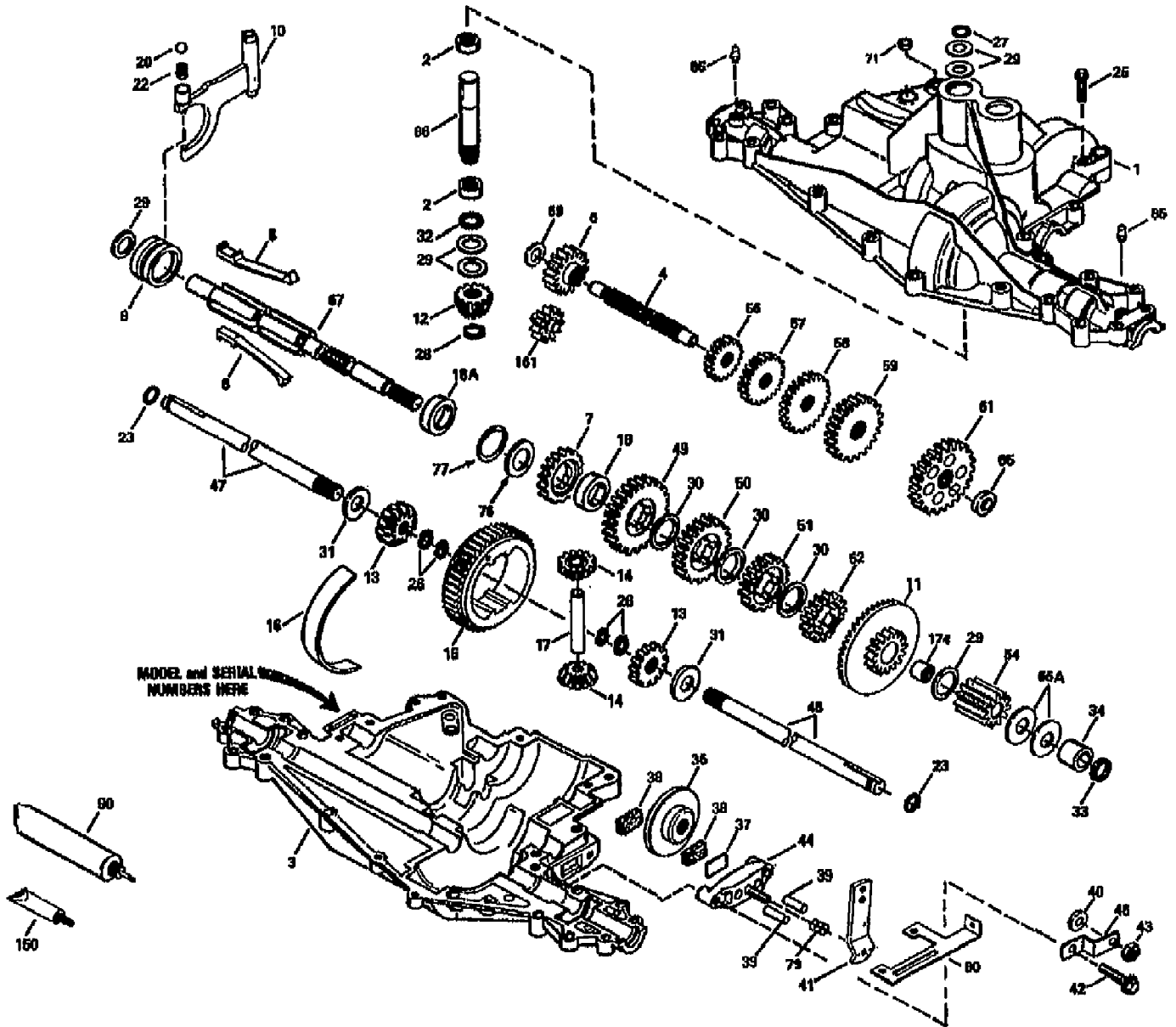
34073 8.5HP (STD.) 33" CUT (S/N 340730100101-340730199999)
HANDELBAR AND CONSOLE

Page 10 of 13

Ref #	Part Number	Qty	S/P/F	Description
300	1753986	0	/P	KEY-IGNITION {34071,34074}
301	1768640	0		ASSM-CONSOLE {34073,34075} (INCL. 125)
301	1768493	0	/P	ASSM-CONSOLE {34071,34074} (INCL. 125)
403	1770592	0		NUT-IGNITION SWITCH

34073 8.5HP (STD.) 33" CUT (S/N 340730100101-340730199999)
PEERLESS TRANSAXLE 915-027

Peerless Transaxle Model 915-027



34073 8.5HP (STD.) 33" CUT (S/N 340730100101-340730199999)
PEERLESS TRANSAXLE 915-027

Page 12 of 13

Ref #	Part Number	Qty	S/P/F	Description
1	772113	0		TRANSAXLE COVER
1	772135	0		TRANSAXLE COVER
2	780086	0		NEEDLE BEARING
3	770110	0		TRANSAXLE CASE
4	776300	0		COUNTERSHAFT
6	778281	0		SPUR GEAR (16 TEETH)
7	778122A	0		SPUR GEAR (22 TEETH)
8	792160	0		SHIFT KEY
9	784373	0		SHIFT COLLAR
10	784365	0		SHIFT ROD & FORK
11	778261	0		BEVEL GEAR & BEARING (INCL. 174)
12	778262	0		BEVEL PINION (14 TEETH)
13	778221	0		BEVEL GEAR (16 TEETH)
14	778068	0		DIFFERENTIAL PINION
?15	778260	0		RING GEAR
16	786150	0		BEARING STRIP
17	786139	0		DRIVE PIN
18	786147	0		NEUTRAL SPACER
18A	786159	0		NEUTRAL SPACER
20	792077	0		BALL, 5/16" DIA.
22	792079	0	S	SPRING
23	788061	0	S	SEAL RING
?25	792073	0		SCREW, 1/4-20 X 1-1/4"
26	792125	0		RETAINING RING
27	792035	0	S	RETAINING RING
28	788040	0		RETAINING RING
29	780072	0	S	WASHER
30	780108	0	S	WASHER
31	780001	0		WASHER
32	792001	0	S	"O" RING
33	788076	0		"O" RING
34	780159	0		BUSHING
36	790071	0		BRAKE DISK
37	790007	0	S	BRAKE PAD PLATE
38	799021	0		BRAKE PAD (PKG OF 2)
39	786026	0	S	DOWEL PIN
40	792076A	0		WASHER
41	790045	0		BRAKE LEVER
42	792073	0		SCREW, 1/4-20 X 1-1/4"
43	792075	0		LOCKNUT, 5/16-24
44	790025	0		BRAKE PAD HOLDER
46	786086	0		BRAKE LEVER BRACKET
47	774747	0		AXLE (16-1/4" LONG)
48	774888	0		AXLE (11" LONG)
49	778124A	0	S	SPUR GEAR (30 TEETH)
50	778123A	0	S	SPUR GEAR (25 TEETH)
51	778122A	0		SPUR GEAR (22 TEETH)
52	778273	0		SPUR GEAR (19 TEETH)
54	778263	0		SPUR GEAR (11 TEETH)
56	778126A	0		SPUR GEAR (20 TEETH)
57	778127A	0		SPUR GEAR (25 TEETH)
58	778128A	0		SPUR GEAR (28 TEETH)
59	778129A	0		SPUR GEAR (30 TEETH)

34073 8.5HP (STD.) 33" CUT (S/N 340730100101-340730199999)
PEERLESS TRANSAXLE 915-027

Page 13 of 13

Ref #	Part Number	Qty	S/P/F	Description
61	778265	0		SPUR GEAR (34 TEETH)
?65	780162	0		WASHER
65A	780160	0		WASHER
66	776299	0		INPUT SHAFT
67	776352	0		SHIFTER & BRAKE SHAFT
69	780161	0		WASHER
71	788069	0		SQUARE CUT RING
76	780090	0		WASHER
77	788078A	0		INVERTED RETAINING RING (PKG OF 2)
79	792144	0		SPRING
80	790063A	0		BRAKE BRACKET
85	792137	0		LUBRICATION FITTING
90	788067B	0		GREASE (32OZ. BTL. BENTONITE GREASE)
150	510334	0	S	GASKET ELIMINATOR (LOCTITE #515)
161	776302	0		REVERSE IDLER
174	780085	0		NEEDLE BEARING